

## General info

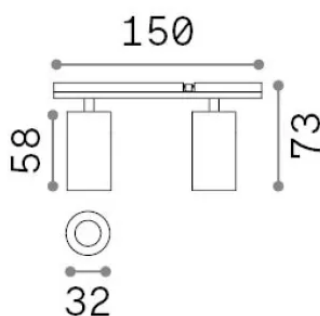
## Technical - Systems



Ean	8021696329536
Item	STICK SPOT DOUBLE 10W 3000K NERO
Installation	Systems
Warranty	5 years
Gross weight	0.23 kg
Volume	0.00057 m <sup>3</sup>

## Technical info

Net weight	0.19 kg
Insulation class	III
Protection index	IP20
Compliance	-
Operating temperature	-
Dimmer	1
Power output	48 V DC
Power supply	-



## Source info

Integrated source	-
Replaceable source	No
Power	10 W
Emission	-
Max consumption	-
Features LED	LED COB BRIDGELUX
CCT LED	3000 K
Duration LED (t. 25°C)	50 h
CRI	> 90
SDCM	3
Light beam	30°
Light beam flux	800 lm
Useful light flux	-