

General info

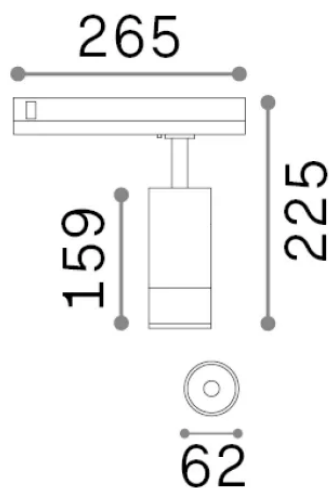
Technical - Spotlights and Tracks



Ean	8021696302959
Item	EOS TR 3-PHASE 15W 3000K 1-10V BI
Installation	Spotlights and Tracks
Warranty	5 years
Gross weight	0.75 kg
Volume	0.00378 m ³

Technical info

Net weight	0.66 kg
Insulation class	II
Protection index	IP20
Compliance	-
Operating temperature	-
Dimmer	1
Power output	220-240 V AC
Power supply	-



Source info

Integrated source	-
Replaceable source	No
Power	15 W
Emission	-
Max consumption	-
Features LED	LED COB BRIDGELUX
CCT LED	3000 K
Duration LED (t. 25°C)	50 h
CRI	> 90
SDCM	3
Light beam	20-55°
Light beam flux	1700 lm
Useful light flux	-